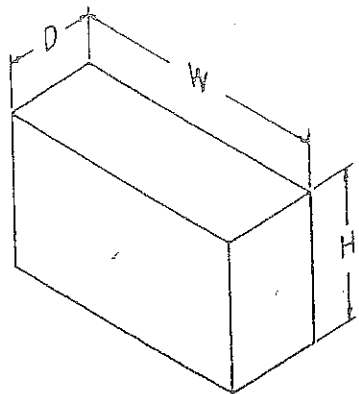


Pictorial Drawings

Another method requires the drawing of the pictorial on a second piece of paper. When it has been checked for accuracy, measure its total width and height. With this information, locate the starting point of

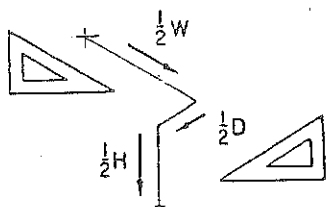
the drawing so it will be centered on the drawing sheet which is to be evaluated.

A third method, one that will work on most problems, is shown in Fig. 11-19.

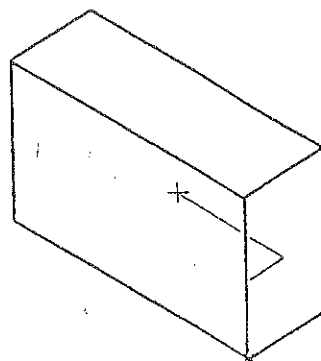


1. DESCRIBING AN ISOMETRIC VIEW.

2. LOCATE CENTER OF DRAWING AREA.

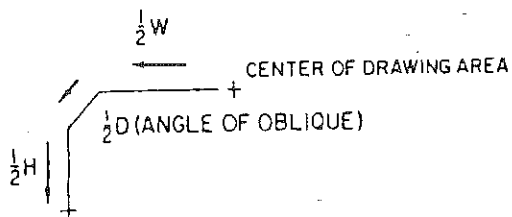


3. PLOT STARTING POINT OF DRAWING.

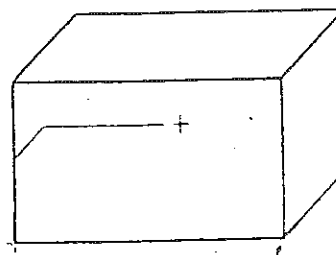


4. COMPLETE DRAWING.

Fig. 11-19. Above. An easy way to center isometric drawings.
Below. An easy way to center oblique drawings.



1 PLOT STARTING POINT OF DRAWING



2 COMPLETE DRAWING